



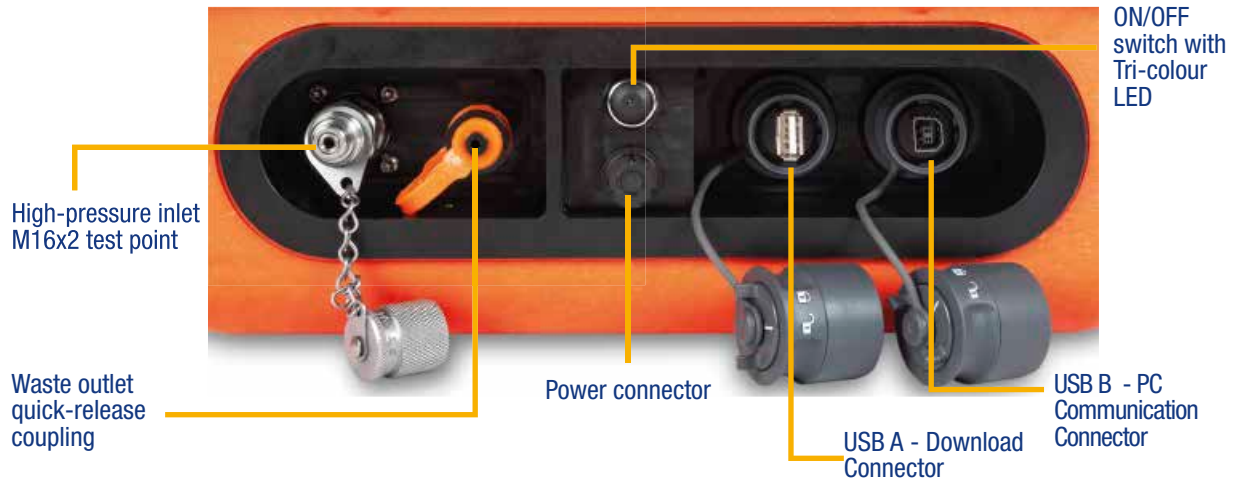
LPA3

Quick-start Guide



The purpose of this guide is to introduce the LPA3 Portable light extinction particle analyser and help you get started quickly and easily. We map the key areas of the interface and machine layout and take you through an example sample testing. Full instructions and support are available in the Operator's Manual at mpfiltri.com

HYDRAULIC CONNECTIONS



HEALTH AND SAFETY

Do not operate, maintain or carry out any procedure before reading the Operator's Manual. It is also important to comply with the current regulations related to occupational accident prevention and safety in the workplace.

Any individual operating the unit shall wear the following Personal Protective Equipment: Eyewear; Safety shoes; Gloves; Overalls (or other suitable protective clothing).

SUPPORT MATERIALS

MP Filtri is dedicated to offering comprehensive customer support with multimedia guides designed to help you master the device quickly and easily.

You can find all the tools you need at our website: <https://www.mpfiltri.com/>

A full Operator's Manual is available

TECHNICAL SPECIFICATION

Particle Sizing

>4, 6, 14, 21, 25, 38, 50, 70 μm

Reporting Standards

ISO 4406, NAS 1638
AS4059 Rev E, Table 1, 2
AS4059 Rev G, Table 1, 2
GBT 14039, GJB 420 B
GOST 17216, ISO 11218

Particle Sizing

$\pm\frac{1}{2}$ ISO code for 4, 6, 14 $\mu\text{m(c)}$
 ± 1 code for 21, 25, 38, 50, 70 $\mu\text{m(c)}$

Dimensions

Width: 470 mm (18.5")
Height: 170 mm (6.7")
Depth: 350 mm (13.8")
Weight: 10 kg (22 lbs) - Device only

Operating Pressure

2 bar (29 PSI) to 420 bar (6091 PSI)

Data Storage

Approximately 4000 time-stamped tests in the integral memory
Full specification available in the Operator's Manual

LPA3 MAIN SCREEN INTERFACE



The screenshot shows the main interface of the LPA3 device. At the top left, it displays 'LPA3', 'ISO 4406:1999', and the last test result '23/21/19'. Below this is a detailed results table. The top right shows environmental conditions: 65% RH and 45 °C. A central section displays a list of historical test results with timestamps and RH values. At the bottom, there is a pressure reading of 123 Bar, a printer icon, and buttons for 'Manual Flush' and 'Start'. A 'CONTINUOUS TESTING' mode is indicated. On the right side, there are icons for battery status, home, settings, and help.

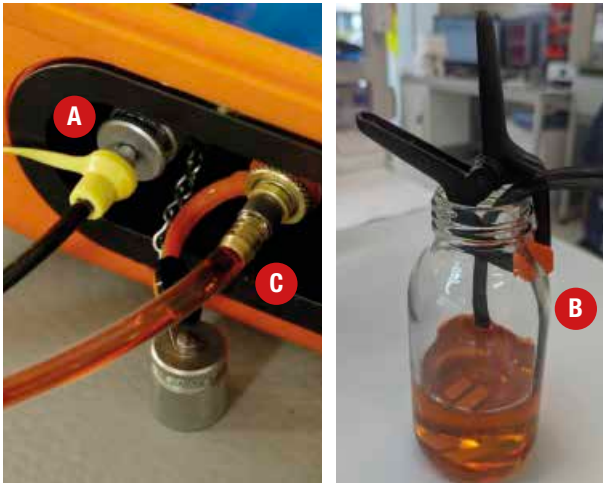
- | | | |
|-----------------------------|----------------------------------|--------------------------------|
| 1. Test reference | 8. Manual flush operation button | 14. Cleanliness level settings |
| 2. Test format | 9. Test start/stop button | 15. Brightness slider |
| 3. Last test result | 10. Continuous/single test mode | 16. Home button |
| 4. Detailed results viewer | 11. Settings button | 17. Battery charge status |
| 5. Sufficient Pressure Icon | 12. Quick-help button | 18. RH result |
| 6. Live pressure reading | 13. Historical results section | 19. Temperature result |
| 7. Printer | | |

LPA3 SETTINGS SCREEN INTERFACE

The screenshot shows the settings screen of the LPA3 device. At the top, it displays 'CALIBRATION DUE 2025-05-14 : 89 DAYS REMAINING' and 'FIRMWARE 4.6 SERIAL NUMBER 999999999'. The settings are organized into sections: Reference (LPA3), Result Format (ISO 4406), Test Type (ONLINE - CONTINUOUS), Flush (120s), Sample (100ml), Water Content (RH) (2025-02-13 10:44:33 UTC), Diagnostics, Language (EN), and Simulation. At the bottom, there are icons for printer settings, history, and other functions.

- | | | |
|---------------------------|-------------------------------|------------------------------|
| 20. Test reference button | 24. Sample volume slider | 28. Language button |
| 21. Result format button | 25. Delete history button | 29. Diagnostics |
| 22. Test type button | 26. Printer settings button | 30. UTC time settings button |
| 23. Flush time slider | 27. Simulation enabled button | 31. RH Test Enabled button |

1 STEP



Connect the LPA3 waste outlet quick-release attachment (C) and then connect the waste hose to a waste receptacle (B)

2 STEP

Connect the hose to the LPA3 high-pressure inlet first (A) then connect to the high pressure test point on the system to be tested.

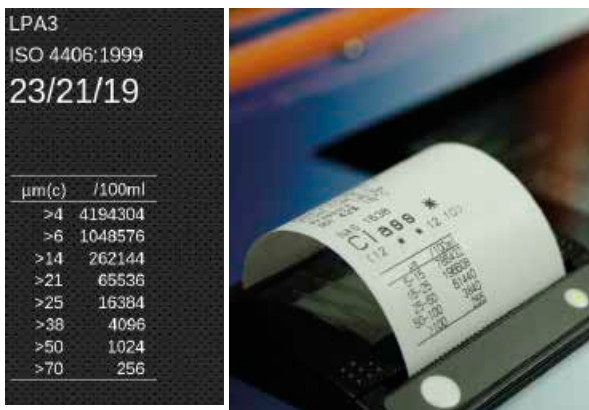
3 STEP



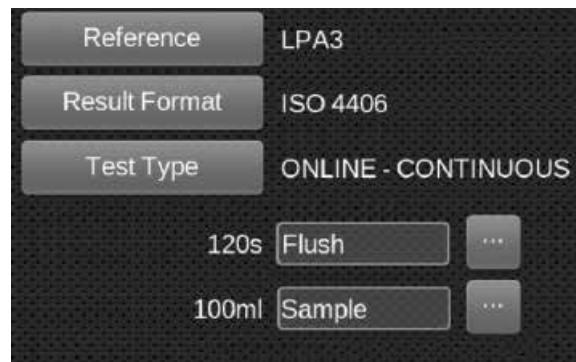
The LPA3 is now ready to take samples from pressurised systems.

To begin sampling program the unit via the settings options/screen, purge fluid using the manual flush option (if required) and then press Start to begin a test.

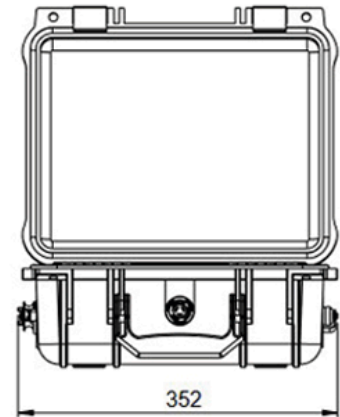
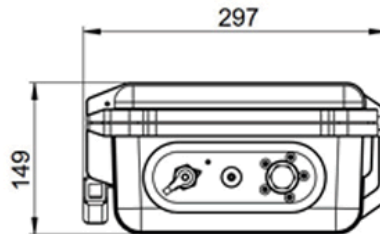
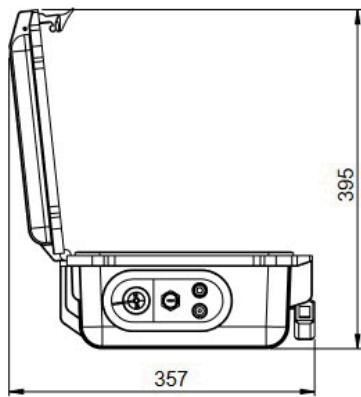
4 STEP



The results will appear on the main screen. You can press the printer button to get hard copy results printed out via the onboard printer.



DIMENSIONS



DOCUMENTATION

CONTAMINATION MONITORING PRODUCTS General catalogue



Download PDF

Scan or click me!

CMP View Software Quick Guide



Select your language and download PDF

Scan or click me!

CMP View Software Software multilingual

Download Software



Scan or click me!